

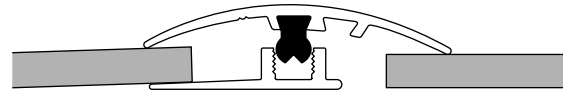
To complete your rigid core floor we have five colour coordinated accessories for each design. Our accessories are custom made with unique features such as tapered base plates to suit inbuilt underlay and come in convenient 2.3m lengths for ease of transport and handling. All of our accessories are suitable for residential and commercial use.

## Multi Trim

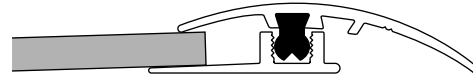
As its name suggests, the Multi Trim fulfills a number of functions.

1. **Expansion Joint cover.** For installations over 15m in length or width an expansion joint must be made (usually placed across a door opening).
2. **Transition.** For joining to carpet where the trim provides cover for both the expansion gap of the floating floor and protection from the pins in carpet smooth-edge, as well as normal height transitions.
3. **Reducer/Ramp.** The top cover can be angled to provide a reducer strip down to substrate level, or for adjoining materials of different heights.

This trim comes with three inserts to allow for joining to a range of alternative materials of different thicknesses.



Expansion Joint Cover/Transition

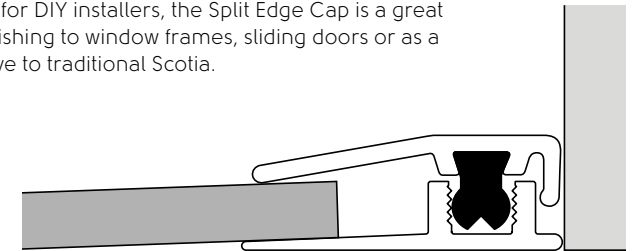


Reducer/Ramp

## Split Edge Cap

The Split Edge Cap is an easier to install alternative to the Edge Cap, especially on that all too challenging last row of planks. The base profile is installed prior to the installation of the floor and then the colour coordinated top cover tapped in to place with a rubber mallet to hide the expansion gap.

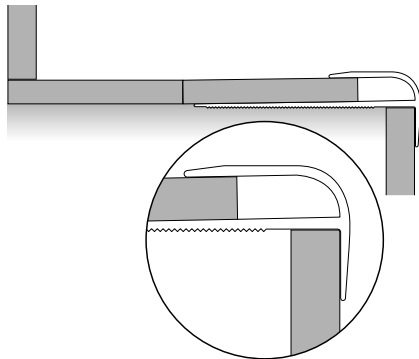
A great option for DIY installers, the Split Edge Cap is a great solution for finishing to window frames, sliding doors or as a sleek alternative to traditional Scotia.



## Stair Nosing

Stair Nosing is a trim used for finishing of steps and staircases neatly. This trim is fixed to the edge of the step using permanent construction adhesive and mechanically where required.

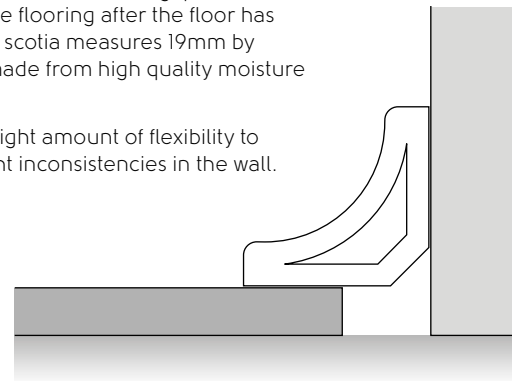
This is used as a transition trim to join step treads and risers (upright, vertical part of the step neatly). The trim accommodates expansion for both tread and riser.



## Scotia

Scotia is designed to cover the gap between the wall and the flooring after the floor has been laid. Our scotia measures 19mm by 19mm and is made from high quality moisture resistant WPC.

It has just the right amount of flexibility to follow any slight inconsistencies in the wall.



## Edge Cap

Edge Caps are one of the most common profiles.

They can be used for a neat finish against sliding doors, full height floor to ceiling windows, carpets, tiled areas and other floor finishes of similar height. This profile is glued to the floor and the floating floor slots into the trim, it has 19mm top coverage.

