

# Rigid core flooring accessories

To complete your new Korlok flooring, we have four colour matched accessories in all the Korlok designs to compliment your floor.

## Quad

Used to conceal the gap at the wall. Can be attached either directly to the wall or an existing skirting board.

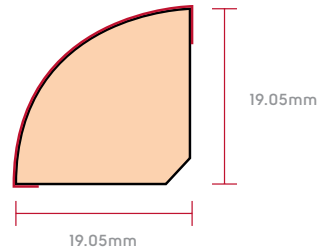
Length (ea): 2.3m



Australian Ghost Gum Quad  
KASC8120



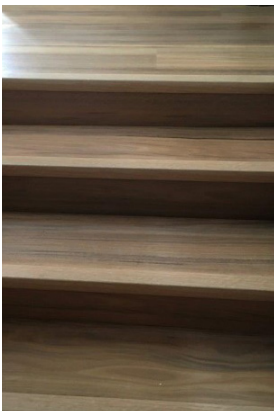
Australian Ghost Gum Quad  
KASC8120



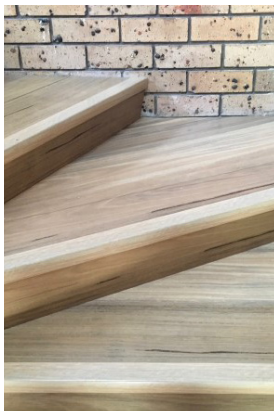
## Stair Nosing

Required for stair cases and step downs to split levels.

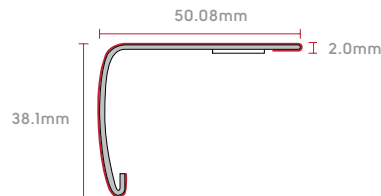
Length (ea): 2.3m



Weathered Spotted Gum Stair  
Nose KASN8119



Weathered Spotted Gum Stair  
Nose KASN8119



## Slim Trim

Can be used in three types of applications:

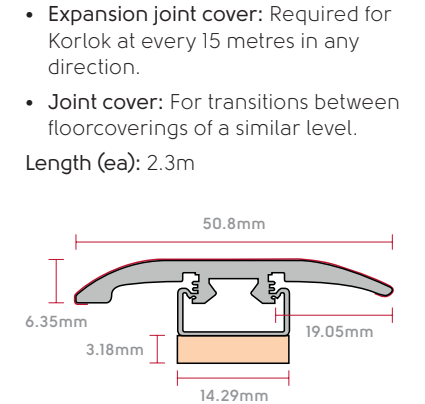
- Reducer: To transition from Korlok to a different floorcovering, or different level floorcovering or subfloor.



Texas White Ash Slim Trim  
KAST8105



Washed Grey Ash Slim Trim  
KAST8104



- Expansion joint cover: Required for Korlok at every 15 metres in any direction.
- Joint cover: For transitions between floorcoverings of a similar level.

Length (ea): 2.3m

## End Cap

Used to butt up to vertical edges where a quad is unsuitable. For example, aluminium door frames, aluminium door sills, ceramic tiles or glued carpets.

Length (ea): 2.3m



Texas White Ash End Cap  
KAEC8105



Texas White Ash End Cap  
KAEC8105

